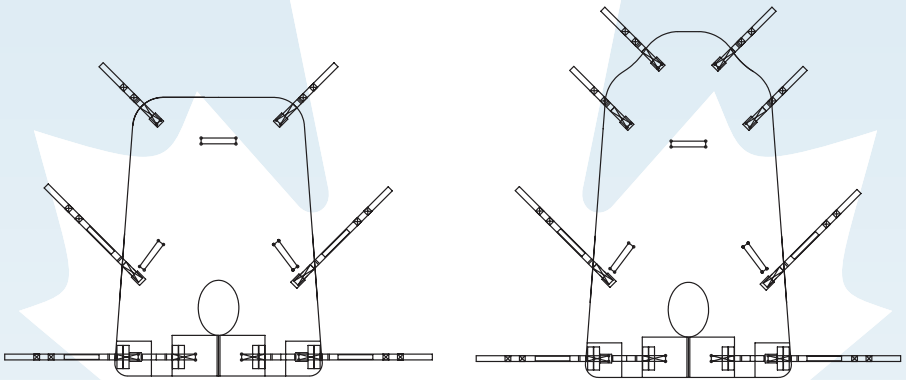


HAMMOCK SLING

Conducting a thorough risk assessment is essential to ensuring the appropriate size, material and style of sling is used

The Hammock Sling is designed to provide maximum support to the upper thigh and lower back area. Its unique design makes achieving a neutral position easy and comfortable, minimizing unnecessary hip rotation. Offered in mesh, quilted, woven and spacer fabric, with or without head support, the Hammock is compatible with any floor or ceiling lift that accepts loop style slings.



Washing Guidelines

- Wash inside a laundry bag for a longer-lasting sling
- Temperatures not to exceed 80°C/ 176°F
- Do not use bleach
- Air dry, or cool tumble dry. No heat.
- Do not dry clean
- Do not iron

Always check the product label for washing instructions.



General Guidelines

- Read and understand the instructions before use
- Always visually inspect the sling before use, checking for tears, rips, or frays.
- Do not exceed the sling's weight capacity
- Check the label is legible
- A properly cared for sling should approximately last 2-3 years

Remove from use if the sling appears to be deteriorating or if the label is no longer legible



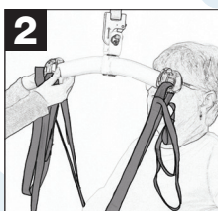
INSTRUCTIONS FOR SLING APPLICATION

Always check the appropriate sling style, material and size has been selected before applying the sling

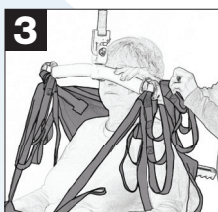
- Always ensure the sling's label is on the outside.
- The top of the sling, parallel to the client's shoulders or square with their back, should line up straight, or perpendicular, to the client's coccyx or tailbone.
- In a lying or sitting position, place the sling behind the client, positioning the top of the sling opening (or apex of the aperture) at the base of the spine, or coccyx area.



Guide each of the sling's legs along the side of the client's hip before slipping it underneath their thigh. The leg sections of the sling should be smooth, not folded or twisted.



Now feed one leg strap through the loop located at the base of the other leg strap.



Attach the loops to the lift's carry bar. For optimal balance during the transfer: apply the same coloured loops on each side.



In general, to achieve a 90° seated position, use short shoulder loops and longer leg loops.

- Before raising the lift, each of the sling's loops must be securely fastened to the carry bar.