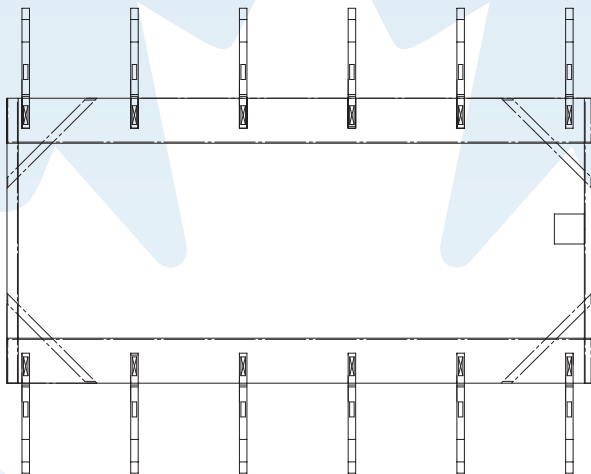


HighStar Healthcare Inc. Sling Instruction Sheet

POSITIONING SLING

Conducting a thorough risk assessment is essential to ensuring the appropriate size, material and style of sling is used

HighStar's Positioning Sling is designed for supine transfers and repositioning a client in bed. It can also be used to turn someone onto their side. Offered in both spacer and woven fabric, the Positioning sling is available with or without elastics and handles (woven model only). This sling can be used with any compatible ceiling lift that accepts loop style slings.



Washing Guidelines

- Wash inside a laundry bag for a longer-lasting sling
- Temperatures not to exceed 80°C/ 176°F
- Do not use bleach
- Air dry, or cool tumble dry. No heat.
- Do not dry clean
- Do not iron

Always check the product label for washing instructions.



General Guidelines

- Read and understand the instructions before use
- Always visually inspect the sling before use, checking for tears, rips, or frays.
- Do not exceed the sling's weight capacity
- Check the label is legible
- A properly cared for sling should approximately last 2-3 years

Remove from use if the sling appears to be deteriorating or if the label is no longer legible



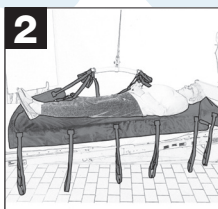
INSTRUCTIONS FOR SLING APPLICATION

Always check the appropriate sling style, material and size has been selected before applying the sling

- Always ensure the sling's label is on the outside.

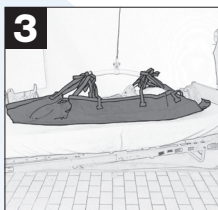


Before attaching the Positioning sling's loops determine how the carry bar is best oriented. Down the length of the sling, or across its width.

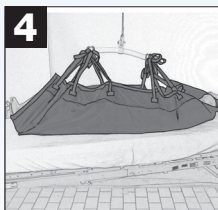


The top four sling straps should always be connected to the carry bar (at the head and knees). If the bottom straps are left disconnected: ensure the client's lower extremities are managed safely.

If turning a client onto their side: attach the sling's straps on the side the client is turning away from. Before beginning, either a caregiver or bed rail must be in position in the direction the client is turning.



Attach the loops to the lift's carry bar. For optimal balance during the transfer: apply the same coloured loops on each side.



Before raising the lift, each of the sling's loops must be securely fastened to the carry-bar.