

# Mackworth

## CP440 Fixed/Portable Ceiling Lift

**The CP440 lift is a lifting aid used to transfer clients. The lift makes it possible to move mobility impaired individuals with minimal strain or risk to the caregiver, while providing complete safety, dignity and comfort for the client.**

The CP440 lift should be used in conjunction with a suitable track system, such as a Mackworth Portable Gantry System or fixed ceiling track and a moving and handling sling.

The sling should be selected to suit the application and client requirements. It attaches to the lift by means of the carry bar by its straps to hold the individual while the lift, or transfer takes place.

### Benefits

- Portable or fixed
- Can be fitted, and moved between any suitable ceiling track or overhead gantry with a compatible trolley set
- Capable of transferring patient of up to 440lb (200kg)
- Unobtrusive, doesn't take up floor space or cause trip hazards
- Move patients with minimal effort whilst maintaining their comfort and dignity
- Can be fitted and removed using QRS reacher



### Features

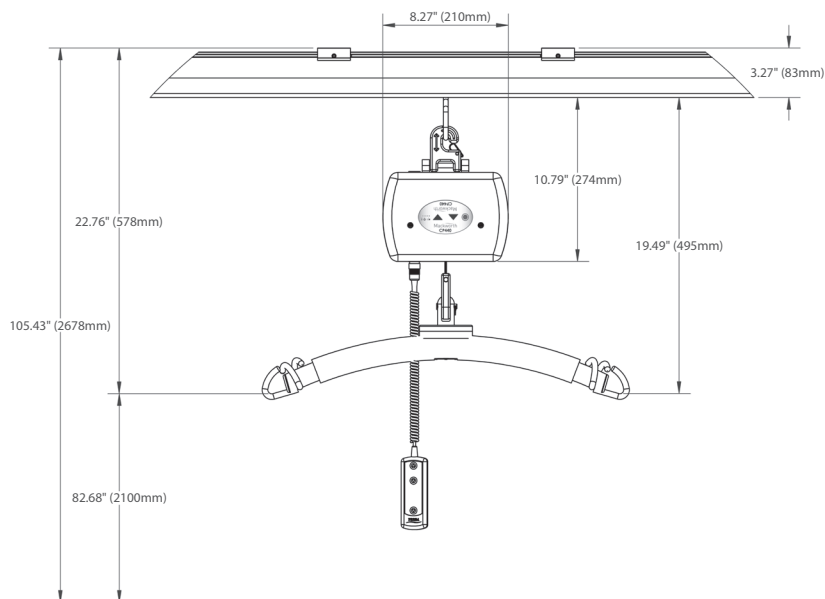
- Compact lightweight aluminium chassis, total unit weight 9.9lb (4.5kg) without a carry bar
- Up, down and emergency lowering controls on both hand controller and unit
- Power switch on rear of unit
- Auto power off after approximately 30 seconds of non-use to save battery
- 50-60 lifts per charge
- Integrated wall dock and charger
- QRS reacher
- QRS carry bar
- Led indicators for:
  - Battery and error status
  - Sleep mode
  - Emergency lower
  - Temperature warnings
  - Lifted weight is over capacity
  - Slack tape error
  - Charger fault

# Mackworth

## CP440 Fixed/Portable Ceiling Lift

### Technical specifications

<b>Max Safe Working Load</b>	440lb (200kg)
<b>Hoist Case</b>	Non Flammable ABS Plastic
<b>Length</b>	8.19" (208mm)
<b>Width</b>	6.97" (177mm)
<b>Height</b>	5.87" (149mm)
<b>Weight (Hoist only)</b>	9.9lb (4.5kg)
<b>Rail Transfer</b>	Manual
<b>Hosting Range</b>	Up to 82.68" (2100mm)
<b>Lifting Speed (unloaded)</b>	1.38"/s (35mm/s)
<b>Lifting Speed (220lb loaded)</b>	0.98"/s (25mm/s)
<b>Charger Input</b>	100- 240V
<b>Charger Output</b>	24V - 1.33 amps
<b>Emergency Stop</b>	Electric
<b>Hand Control</b>	Electric 3 (Button)
<b>Batteries</b>	2 x 12V - 3.3Ah Nimh
<b>In Track Charging</b>	Not Available
<b>Removable from Track</b>	Yes
<b>Duty Cycle</b>	15% use, 85% rest



Product Number: 998538/ Rev: A/ Date: 14/06/2018