

Mackworth SA350 Stand Aid

The Mackworth SA350 has an impressive range of features to provide a safe and dignified lift. Compact and easy to manoeuvre.

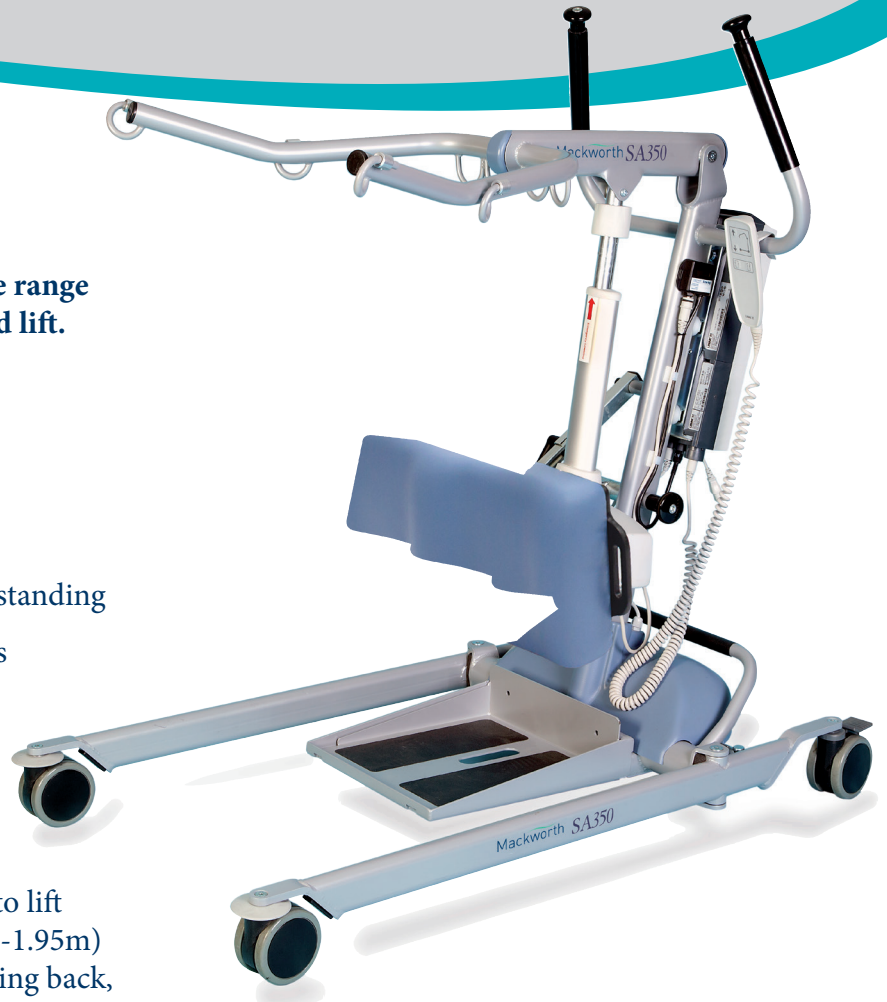
The Mackworth SA350 is uniquely designed to perform 3 key functions:

- a transfer
- a sit to stand
- an aid to rehabilitation through assisted standing

The Mackworth SA350 Stand Aid provides exceptional lifting abilities due to its two attachment points on the spreader bar.

When using the lift as a standing aid, the carer can choose either attachment point, to suit the height and the abilities of the person being raised. This gives the ability to lift a wide range of people from 4ft–6ft 5" (1.2-1.95m) It can also give two lifting angles, one leaning back, the other "head over heels", a more natural standing procedure for those with lower body strength.

The Mackworth SA350 is the ideal solution for rehabilitation programs. When physiotherapists are working in the early stages of rehabilitation, the standing support straps help support the client once in an upright standing position.



Benefits

- Ergonomically profiled push handles allow for safe moving and positioning
- Removable two position footplate, to facilitate gait training
- Powered leg opening allows the stand aid to be positioned correctly for a stable and safer lift without restricting access around chairs and beds
- 4" (100mm) front castors and 4" (100mm) locking rear castors allow for maximum control and positioning on all floor surfaces
- Multi-directional knee pad allows for individual adjustment to provide full support

Brought to you in Canada by



Mackworth SA350 Stand Aid

Technical specifications

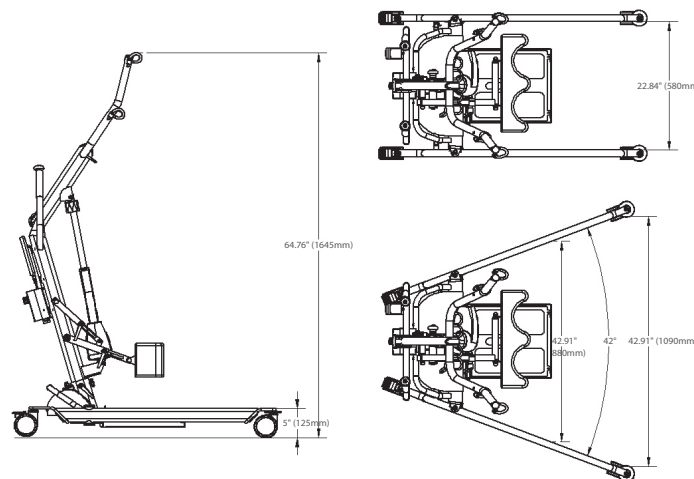
Maximum Weight Capacity	350lb (160kg)
Lifting Range	25.59" - 64.76" (650 – 1645mm)
Stand Aid Foot Print (LxW)	43.31" x 25.20" (1100 x 640mm)
Turning Radius	47.24 (1200mm)
Legs Open – External Width	44.09" (1120mm)
Legs Open – Internal Width	40.16" (1020mm)
Legs Closed – External Width	28.35" (720mm)
Legs Closed – Internal Width	24.41" (620mm)
Overall Height of Legs (Top of Legs to Floor)	4.84" (123mm)
Ground Clearance (Underside of Leg to Floor)	1.97" (50mm)
Front Twin Castors (Diameter)	4" (100mm)
Rear Twin Castors (Diameter)	4" (100mm)

Weights

Assembled SA-350	104.9lb (47.6kg)
Mast & Boom (including all fittings)	52.3lb (23.7kg)
Base Assembly	52.7lb (23.9kg)
Battery	6.6lb (3kg)

Features

- 4 button handset
- Multi-directional knee pad allows for individual adjustment
- Rear foot bar helps to negotiate the stand aid over uneven floor surfaces and door thresholds
- Emergency stop and emergency lowering functions fitted as standard
- Control box includes a counter which records the usage of the lift
- On board charging as standard
- Coating of the stand aid includes FREECOTE®, our unique antibacterial and antimicrobial coating



Product Number: 998510/ Rev: A/ Date: 14/06/2018